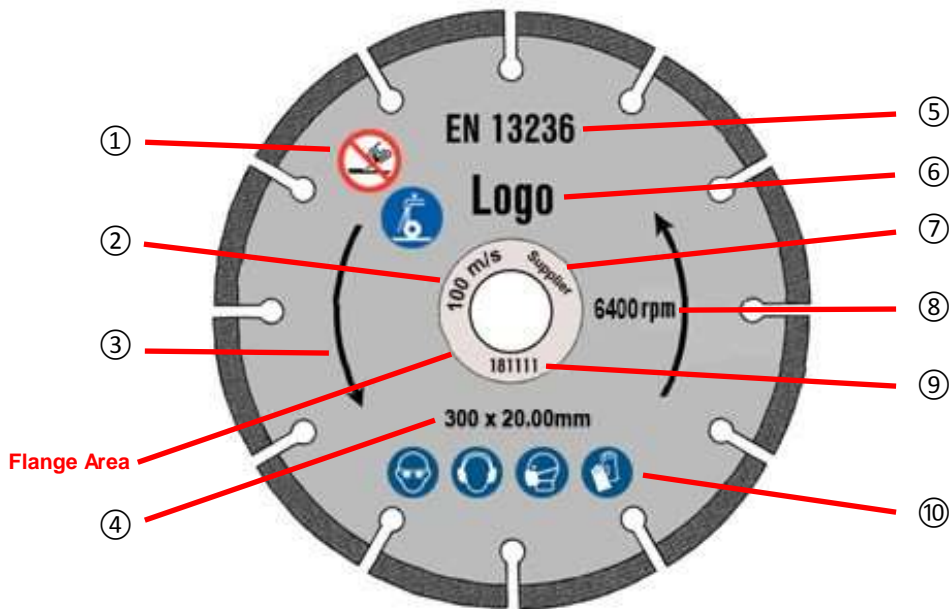


Explanation of marking required by EN 13236 *



Flange Area

1	Restriction of use (e.g: "not for grinding", or "must be used wet")	6	Name of manufacturer, supplier, importer, or Registered Trade Mark
2	Maximum operating speed [m/s]	7	Name of the supplier (producer, importer, or distributor) or a Registered Trade Mark.
3	Direction of rotation	8	Maximum rotational frequency [rpm]
4	Dimensions [mm]	9	Traceability code
5	Declaration of conformity	10	Safety pictograms (PPE) Mandatory in France

* EN 13236 marking shows that the producer has followed the essential safety requirements of the European safety standard for diamond saws in order to reduce the risks for the end-user. The markings from 1 to 9 listed above are mandatory for products marked EN 13236.



IMPORTANT NOTICE

Every effort has been made to ensure that all information supplied in this leaflet is accurate and up to date. We cannot accept, however, responsibility for any error or omission, nor for any consequential loss or damage so arising (E & OE).

© FEPA June 2016



SAFETY RECOMMENDATIONS FOR DIAMOND SAWS USED ON HAND-HELD CUTTING-OFF MACHINES

PASS ON THIS LEAFLET TO THOSE USING SAWS

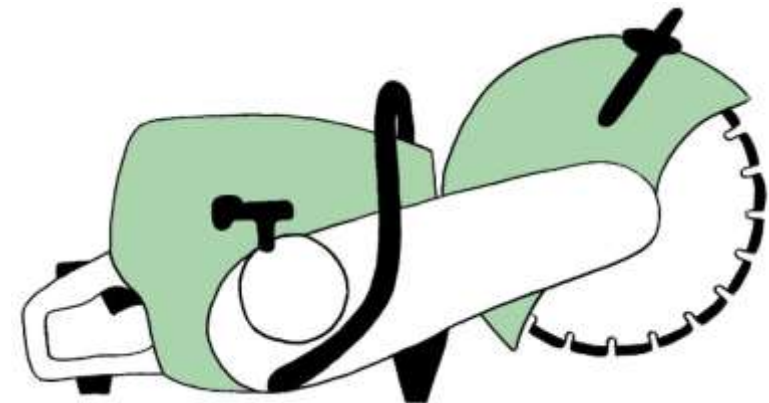
The recommendations contained in this leaflet should be followed by all users of abrasive products in the interests of their personal safety

GENERAL PRINCIPLES OF SAFETY

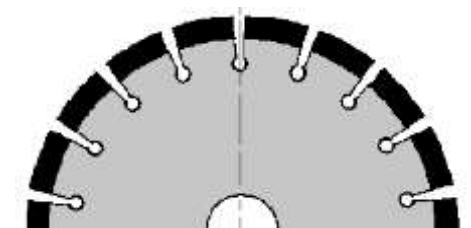
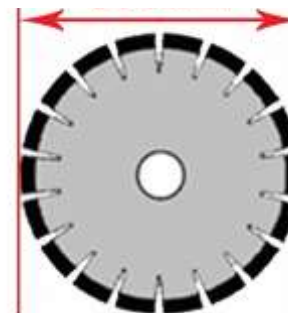
Diamond saws improperly used can be very dangerous.

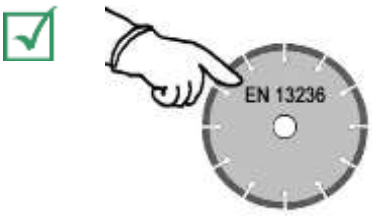




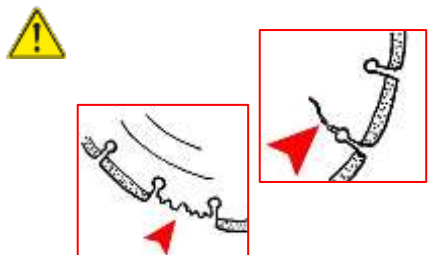
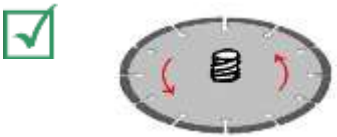
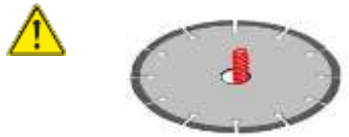
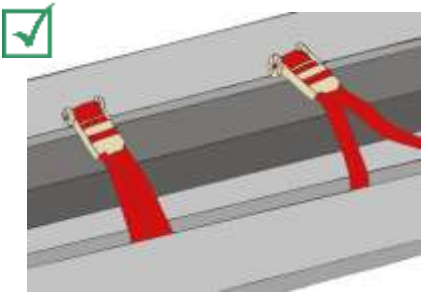

This leaflet focuses on flat segmented diamond saws 300 to 420 mm diameter used on hand held cutting-off machines: petrol and electric saws. It is not for angle grinders.





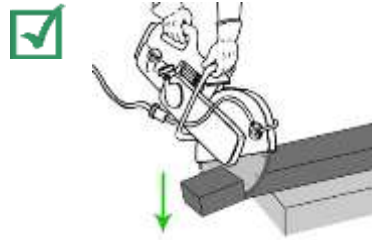
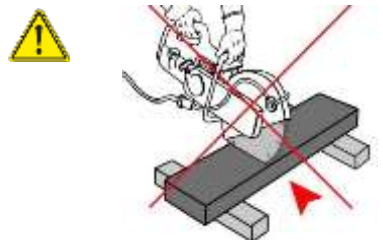
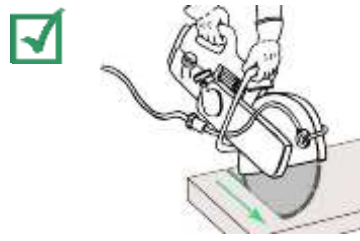
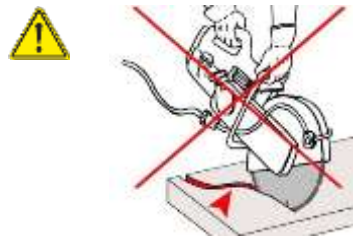


Diamond saws used on petrol machines should be used wet wherever possible to suppress the dust.



Ø 300mm to 420mm



	DO'S	DON'TS
1	 <p>Ensure the saw bears the mark EN 13236</p>	 <p>Do not use a saw without EN 13236 mark</p>
2	 <p>Always read the safety instructions and the machine instruction manual</p>	 <p>Don't throw away the instructions before reading</p>
3	 <p>Examine the saw for damage</p>	 <p>Never use damaged saws</p>
4	 <p>Ensure correct bore size Observe direction of run</p>	 <p>Incorrect bore size No direction of run</p>
5	 <p>Ensure work piece is secure</p>	 <p>Never cut an unstable work piece</p>

	DO'S	DON'TS
6	 <p>Use protective equipment</p>	 <p>Never cut without protective equipment</p>
7	 <p>Only use for cutting off</p>	 <p>Do not grind with a diamond saw</p>
8	 <p>Make sure that the off-cut can fall away from the wheel</p>	 <p>Never support the workpiece at both ends and cut in-between</p>
9	 <p>Always straight cutting</p>	 <p>Never twist in the cut</p>
10	 <p>Let the saw cut freely</p>	 <p>Never force the cut and stop when wobbling</p>